

MANUAL – INSTALLATION

Remote Aerosol Injection Port (INJ)

FFU, LFDC, RFDC, FRFDC

v100 – Issue Date: 02/26/20

© 2020 Price Industries Limited. All rights reserved.

PRICE[®]

REMOTE AEROSOL INJECTION PORT (INJ)

INSTALLATION & MOUNTING INSTRUCTIONS

Kit includes:

- INJ ceiling access door
- Ceiling panel
- Mounting Frame (HGMF)

Installation Instructions

STEP 1

Choose a location for the INJ ceiling access panel. Be sure to locate the INJ ceiling access panel such that the tubing can reach from the INJ ceiling access panel to the ductwork.

STEP 2

Install the mounting frame in the chosen ceiling opening. The mounting frame can be installed in a hard-lid ceiling (Figure 2), or the the access panel can be installed in a Price HGWC welded ceiling grid (Figure 3). Hang using 12 ga. suspension wire as per ASTM C636 or secure to framing. If using suspension wire, do not twist the wires (bend in loose 180 degree loops) until the grid has been leveled (Figure 4).

- Ceiling panel hold-down clips
- Aerosol flexible tubing
- Rubber grommet

STEP 3

Drill a 7/8" hole into the ductwork upstream of the diffuser.

STEP 4

Slide the grommet onto the black tubing at least two (2) inches from the end of the tubing. Install the tube into the hole in the ductwork using the grommet.

FIGURE 1 ▼



FIGURE 2 ▼

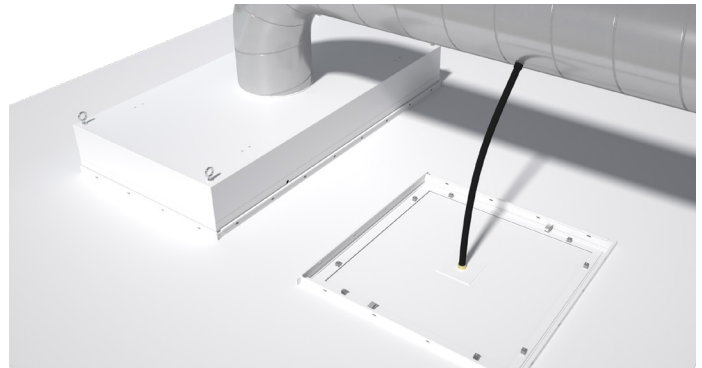


FIGURE 3 ▼

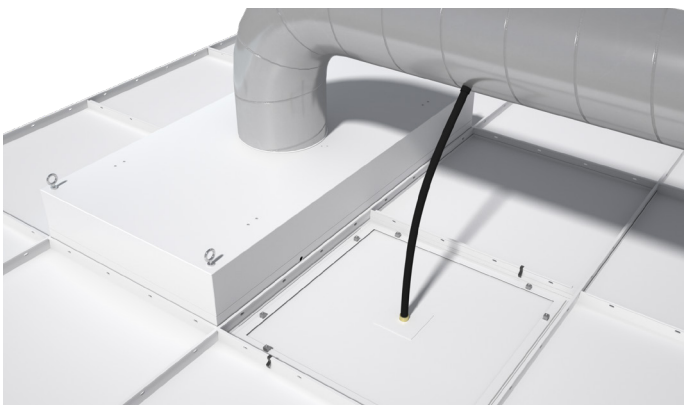
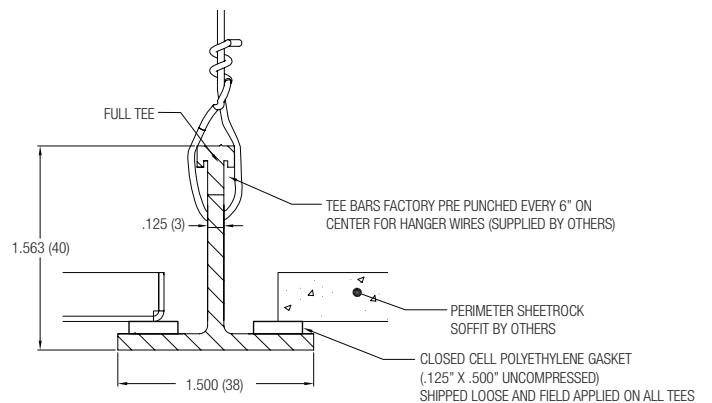


FIGURE 4 - PERIMETER INSTALLATION DETAIL ▼



REMOTE AEROSOL INJECTION PORT (INJ)

INSTALLATION & MOUNTING INSTRUCTIONS

STEP 5

Install ceiling panel on mounting frame using hold-down clips (Figure 5).

STEP 6

Bring the other end of the tubing to the ceiling access door. Attach the tube to the barbed fitting on the ceiling access door before installing the ceiling access door (Figure 6).

STEP 7

Aerosol injection can now be completed using the exposed 3/8-18 NPT Female Thread. Aerosol injection and testing should be completed in accordance with IEST standards.

STEP 8

For access to the ceiling plenum, open the 1/4 fasteners to disengage the ceiling access door. Be careful to keep the tubing intact on the barbed fitting (Figure 7).

FIGURE 5 ▼

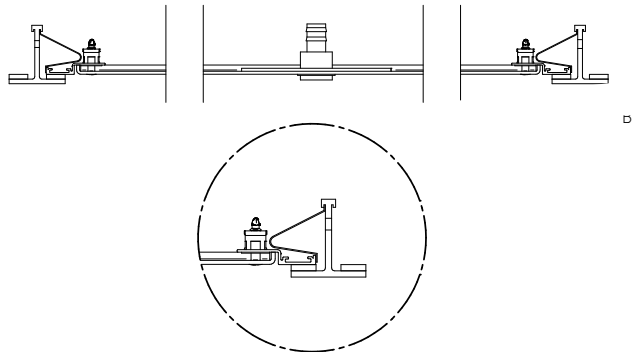


FIGURE 6 ▼

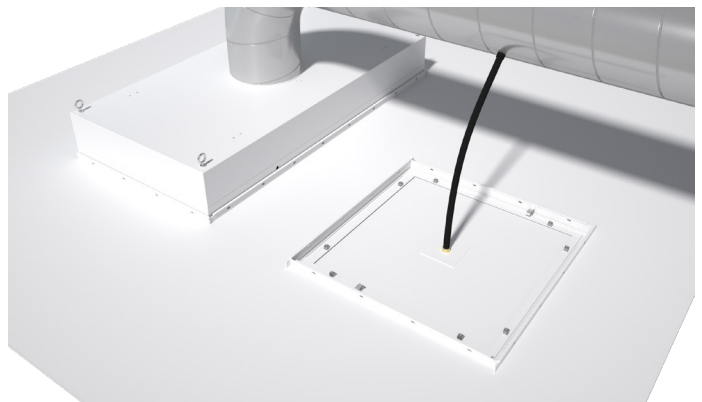
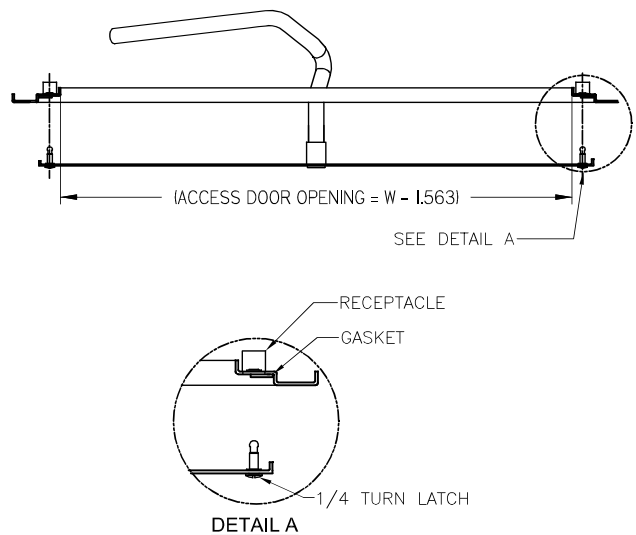


FIGURE 7 ▼



Application Support

Having difficulty installing this product? Price is here to help.

204.654.5613 option 5

criticalenvironments@priceindustries.com

priceindustries.com/literature

This document contains the most current product information as of this printing.
For the most up-to-date product information, please go to priceindustries.com

© 2020 Price Industries Limited. All rights reserved.

PRICE[®]